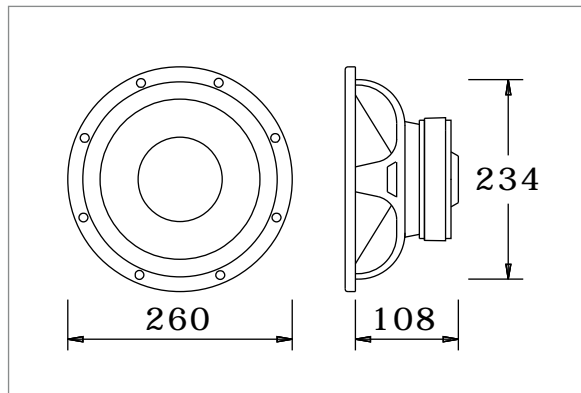


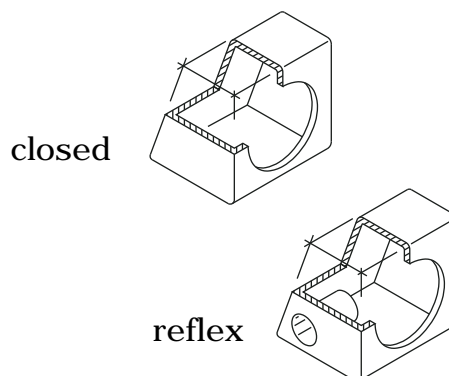
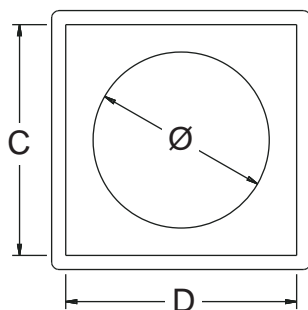
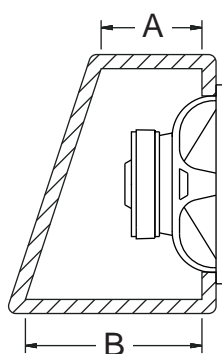
TLS 10 - 260 mm subwoofer



TECHNICAL DATA

nominal impedance (Zn)	4 ohm	mechanical Q factor (Qms)	3.26
nominal power (Pn)	175 watt	electrical Q factor (Qes)	0.48
max power (Pm)	350 watt	total Q factor (Qts)	0.42
sensitivity (2.83 V/1 m)	91 dB	moving mass (Mms)	55.2 g
frequency range (BW)	35 ÷ 2000 Hz	compliance (Cms)	0.32 mm/N
resonance frequency (Fs)	35 Hz	equivalent volume (Vas)	55 litres
voice coil diameter	50 mm	force factor (BxL)	10 N/A
cone material	polypropylene	voice coil resistance (Re)	3.4 ohm
surround material	butyl rubber	voice coil inductance (Le)	0.8 mH
basket material	stamped steel	emission diameter (D)	210 mm
magnet material	ferrite	linear excursion (Xmax)	± 4 mm

SUGGESTED BOXES



	A	B	C	D	Ø	reflex tube	Volume
	mm	mm	mm	mm	mm	mm	litres
closed box	120	230	300	320	236	-	17
reflex box	175	300	340	400	236	Ø 94/ L 180	32