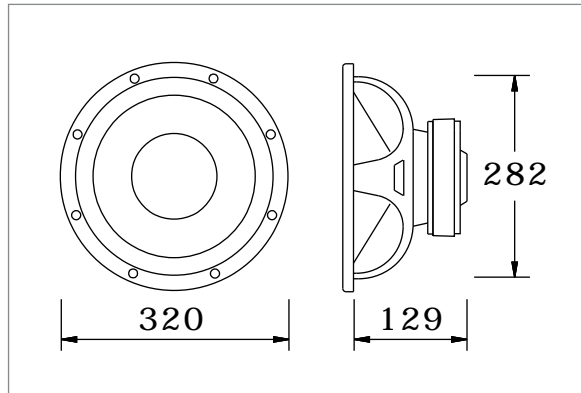


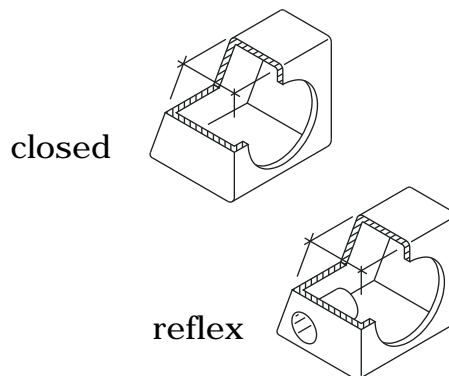
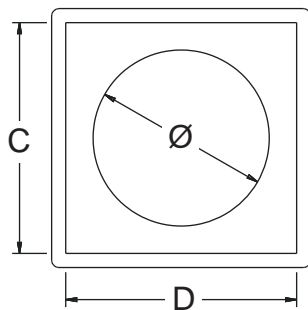
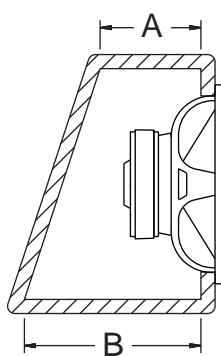
## TLS 12 - 320 mm subwoofer



### TECHNICAL DATA

nominal impedance (Zn)	4 ohm	mechanical Q factor (Qms)	3.16
nominal power (Pn)	250 watt	electrical Q factor (Qes)	0.63
max power (Pm)	500 watt	total Q factor (Qts)	0.52
sensitivity (2.83 V/1 m)	91 dB	moving mass (Mms)	120.9 g
frequency range (BW)	30÷2000 Hz	compliance (Cms)	0.29 mm/N
resonance frequency (Fs)	27 Hz	equivalent volume (Vas)	115 litres
voice coil diameter	65 mm	force factor (BxL)	10.5 N/A
cone material	polypropylene	voice coil resistance (Re)	3.4 ohm
surround material	butyl rubber	voice coil inductance (Le)	0.4 mH
basket material	stamped steel	emission diameter (D)	260 mm
magnet material	ferrite	linear excursion (Xmax)	± 6 mm

### SUGGESTED BOXES



	A	B	C	D	Ø	reflex tube	Volume
	mm	mm	mm	mm	mm	mm	litres
closed box	175	300	340	400	284	-	32
reflex box	200	350	420	540	284	Ø 94/ L 210	62