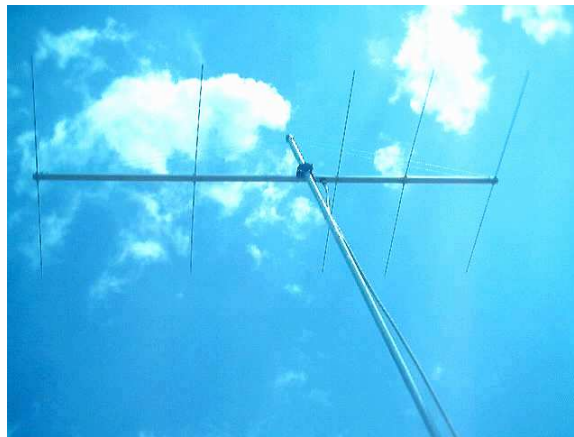
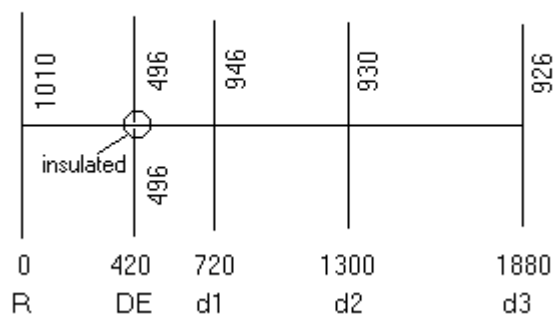


QM5 - five elements Yagi-Uda Antenna

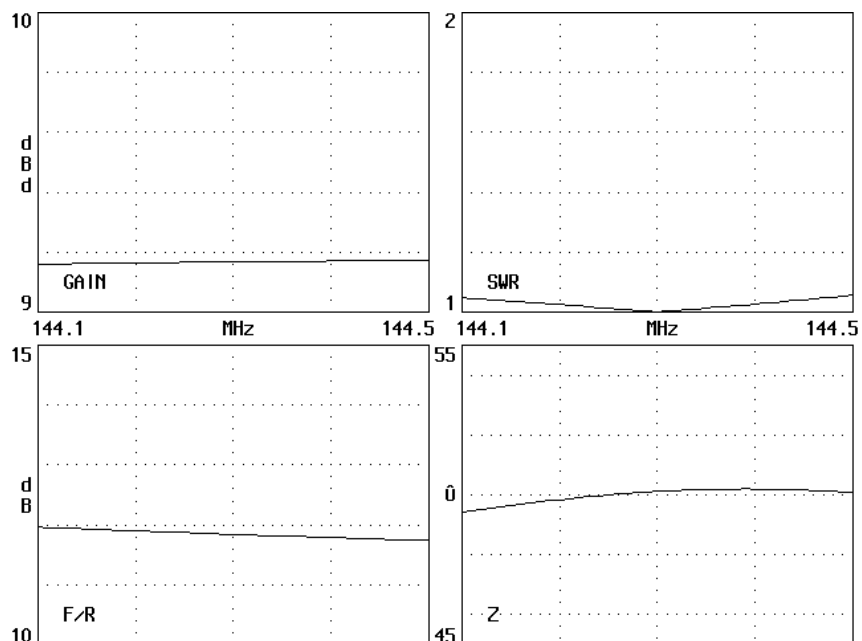


The QM5 antenna is a simple 5 elements Yagi with 1.88 m boom length for the lower 144 MHz SSB/MGM band, I used it mainly for Sporadic-E and MS contacts. It exhibits a forward gain of 9.17 dBd; i.e. 11.3 dB forward gain over the isotropic radiator, while the F/R is about 11.5 dB.

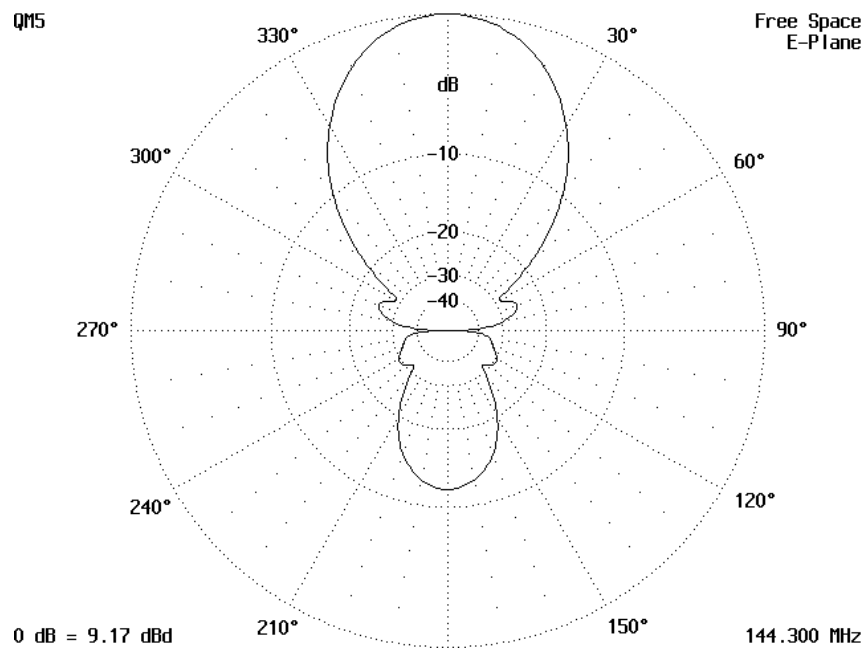
QM5 144 MHz dimension in mm (free space only)



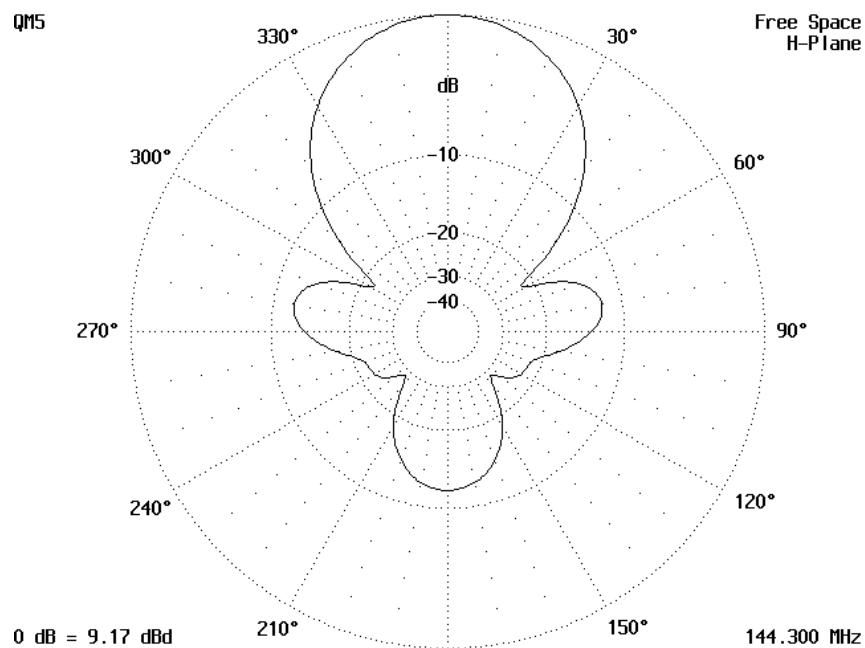
Elements diameter is 5 mm aluminium. It really matches 50 Ohms impedance, and it is coupled to the 50 Ohms coaxial cable with the use of 1:1 balun.



QM5 - five elements Yagi-Uda Antenna



The Free Space Polar diagram in E-Plane



The Free Space Polar diagram in H-Plane

Legal-notice/Disclaimer/Warning: This Document contains station information only; IØQM, Bob; is an Hobbyist Amateur Radio! In The Spirit Of Amateur Radio, No Monetary Profit is to be made from this Personal Page Publications and it is released for free at amateur radio without support or warranty of any kind, commercial use or commercial distribution is not allowed; the use of the information provided is at your own risk. Parts of the pages or the complete publication including any information might be extended, changed or partly or completely deleted without announcement. 73's fb DX de IØQM.