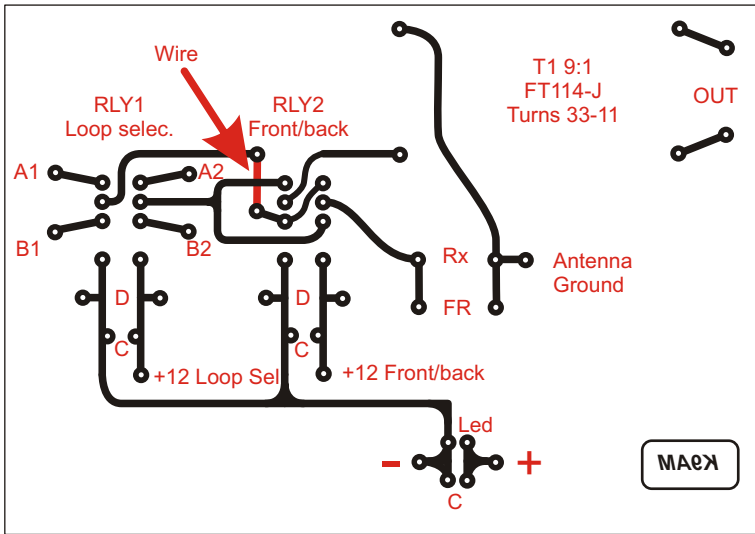


# Aldo Moroni K9-remote box PCB



**100x70 mm.**

- D= 1N4004
- C= 100nF
- RLY1 = TX2-12 Nais (not used with monoloop version)
- RLY2 = TX2-12 Nais
- FR = NORP12
- Led = White LED
- T1 = Binocular or FT 114-J 9:1
- Rx = 1K5
- A1-A2 = Loop A
- B1-B2 = Loop B

## ***Monoloop Version***

